



*Discover the magical luster
of nature's **crescent** in our products!*

Stainless Steel Balusters, Handrails & Railing Accessories





We present ourselves as a firm that has been manufacturing Stainless steel accessories for over a decade and that specialises in Balustrades & Handrail systems.

Crescent has always aspired to create designs that are aesthetically appealing at the same time functionally sound, which is obvious in its modular systems. Our designs are a unique system of standard modular components which ensures no on site fabrication and welding. Since the components are engineered to accommodate various on site conditions, the mounting of the products at site becomes very simple. An experienced and trained installation team, equipped with state-of-the-art tools further substantiates our quest to provide complete engineered railing solutions. Our plant possesses modern machinery which are duly modified to suit the needs.

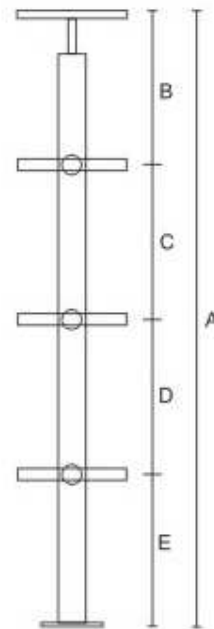
We at Crescent use AISI 304 Stainless Steel for its unmatched strength and flawless finish, this can be seen in our product range. **Chemically passivated components** and tubes ensures the formation of natural oxide surface film which results in very high corrosion resistance.

Our products has a wide span of application, they are used at residential bungalows, domestic/ commercial/ institutional buildings, amusement parks, multiplexes, airports, shopping malls, hotel/restaurants. Their uses are increasing everyday through the vision of our clients and the imagination of their architects and designers.

Our contemporary designs caters to the needs of demands of modern times and a team of highly qualified industrial designers and engineers are constantly providing fresh ideas and design innovations.

We put in a lot of effort to achieve the highest quality, which begins with a human thought and ends with a tangible product.

AISI 304 - 18/8
STAINLESS STEEL



CBL 1

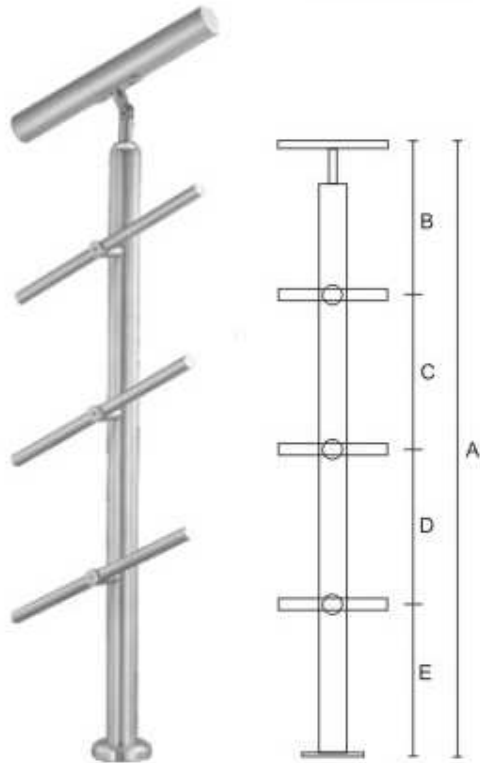
A	B	C	D	E
815	195	195	195	230

All dimensions are in mm



Balusters & Handrails

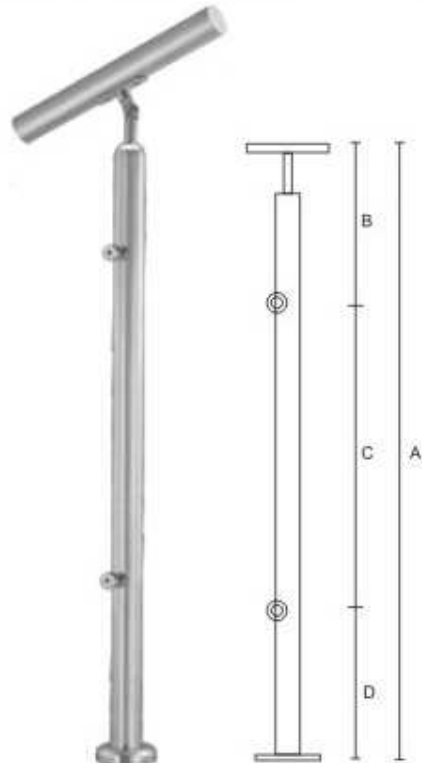
KNOCK DOWN SYSTEMS



CBL 2

A	B	C	D	E
815	195	195	195	230

All dimensions are in mm



CBL 2G

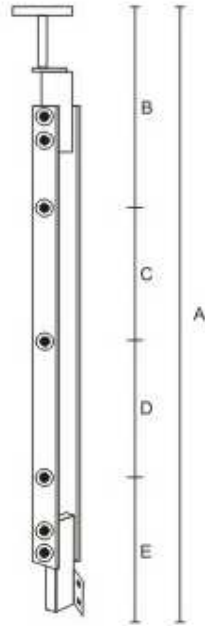
A	B	C	D
815	195	390	230





Balusters & Handrails

KNOCK DOWN SYSTEMS



CBL 5S

A	B	C	D	E
1015	195	195	195	430

All dimensions are in mm



CBL 6T

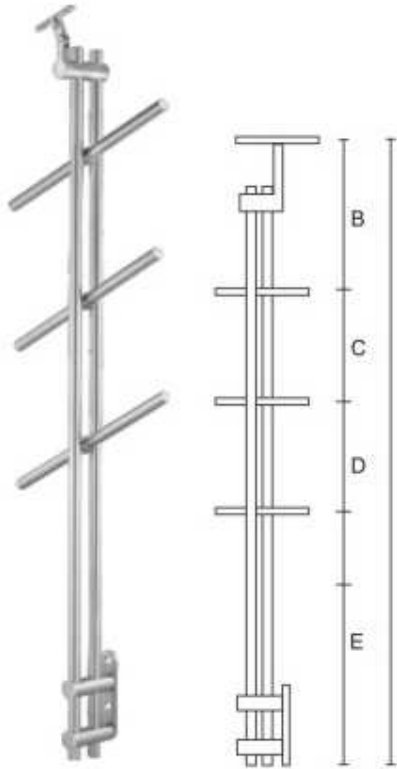
A	B	C	D
815	195	390	230





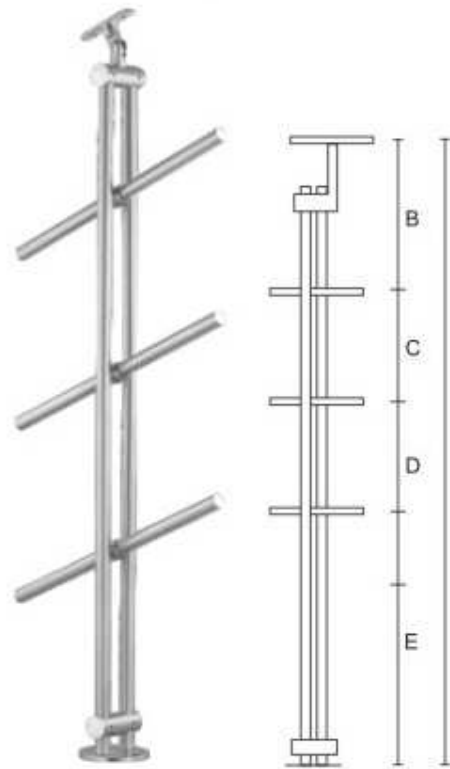
Balusters & Handrails

KNOCK DOWN SYSTEMS



CBL 4S

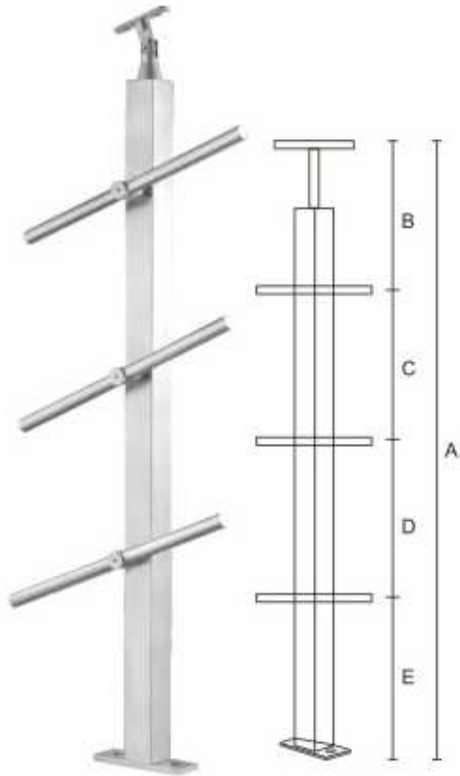
A	B	C	D	E
1015	195	195	195	430



CBL 4T

A	B	C	D	E
815	195	195	195	230

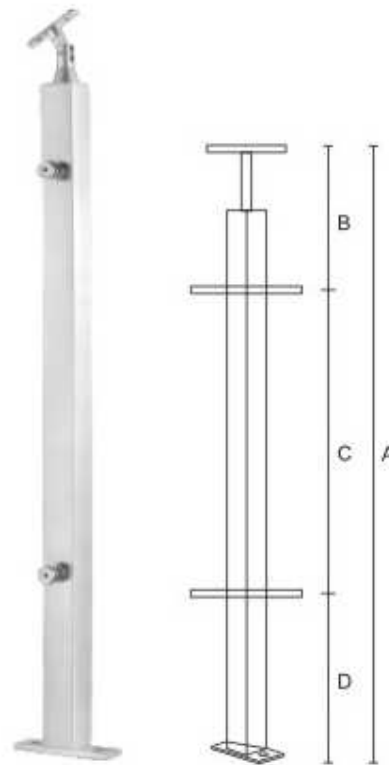




CBL 3

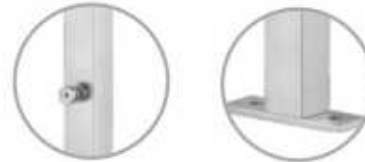
A	B	C	D	E
815	195	195	195	230

All dimensions are in mm



CBL 3G

A	B	C	D
815	195	390	230





Railing accessories



All the Balusters shown in the catalogue have the flexibility to incorporate top mounting or side mounting arrangement.

Application





design & The ART L&S 9879162578



Manufactures : Stainless Steel Baluster, Handrails & Rolling Accessories

4, Mavdi plot,
Opp. Suroj Besan Mill,
RAJKOT-360004, Gujarat, India

Phone : 91-281-2371737,2377922 Fax : 91-281-2367359
web: www.crescentmetfab.com
e mail: crescent@metfab.com

In our pursuit to achieve excellence change in specification needs to be anticipated and accepted.